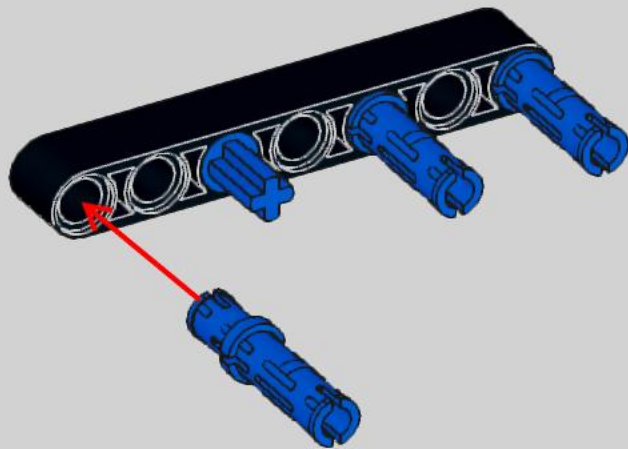
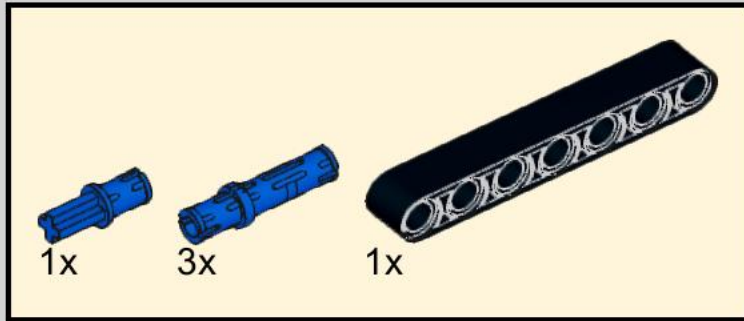


## 42218 Alternate - Motor Grader

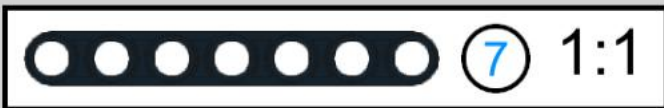
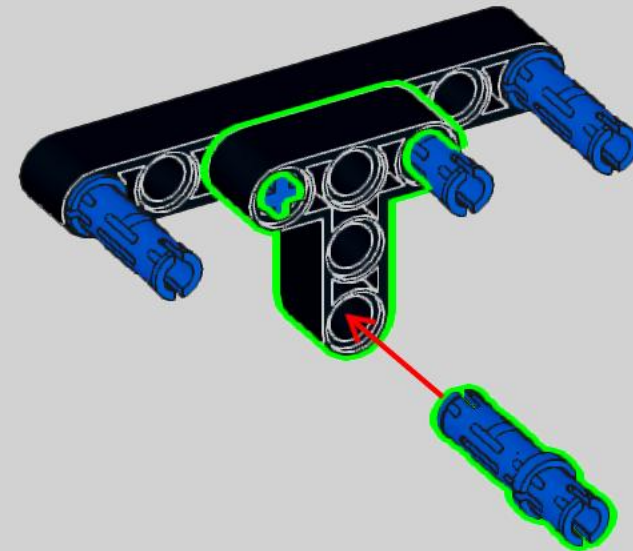
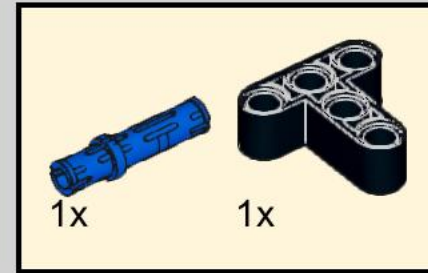


Model and instructions created by artemisovsky aka OraD

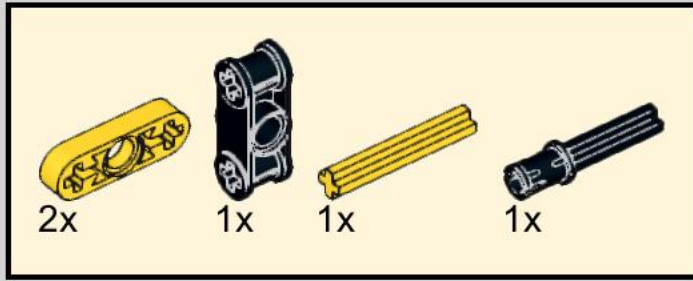
# 1



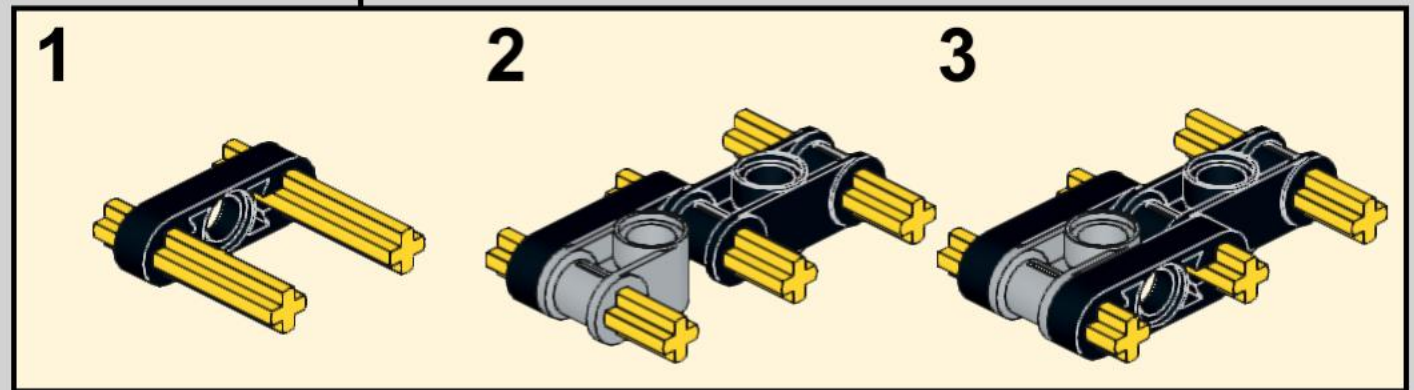
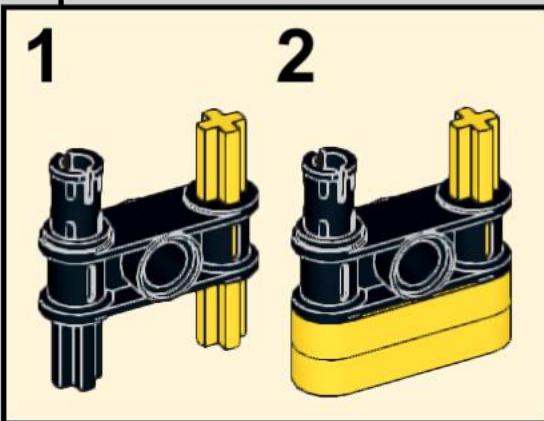
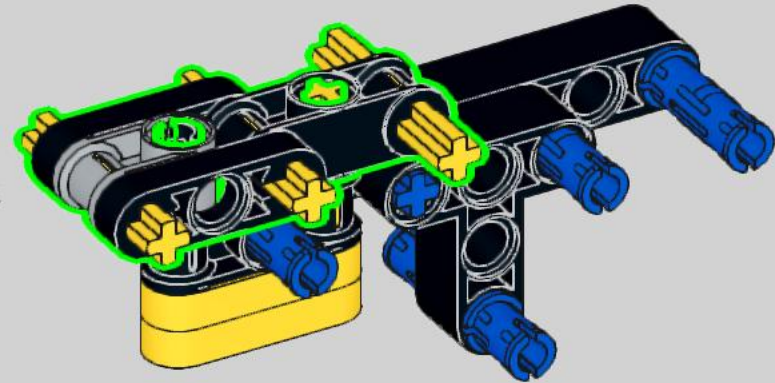
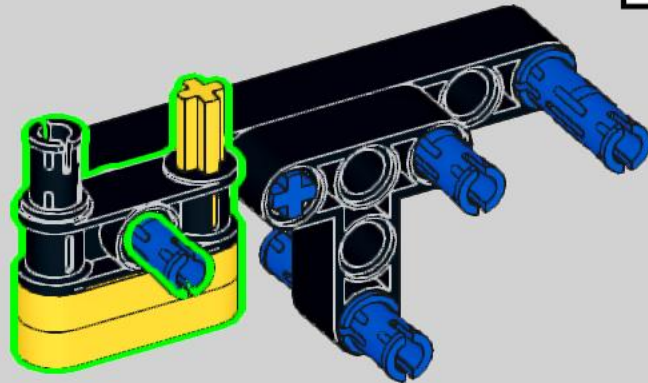
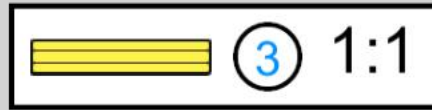
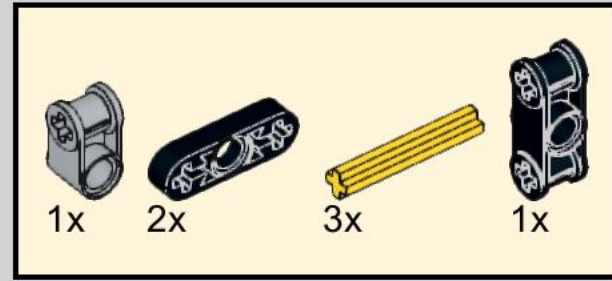
# 2



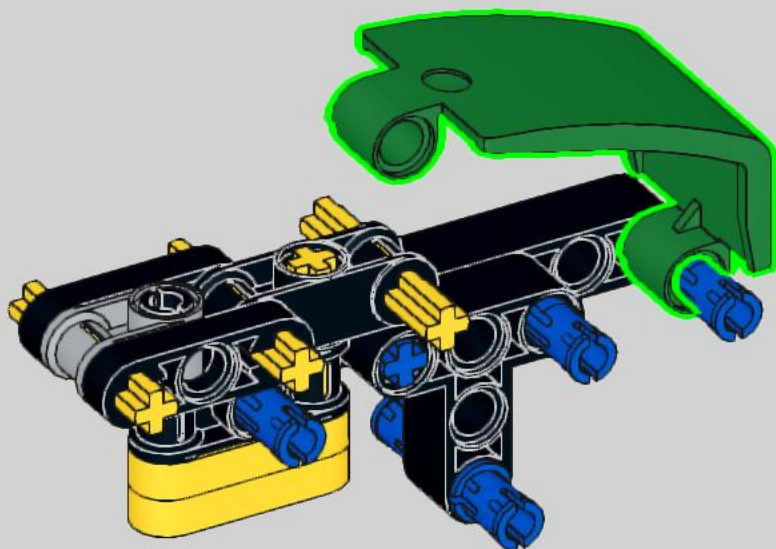
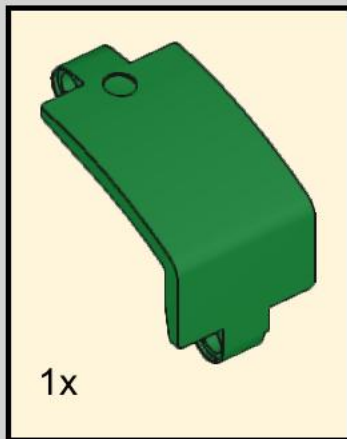
# 3



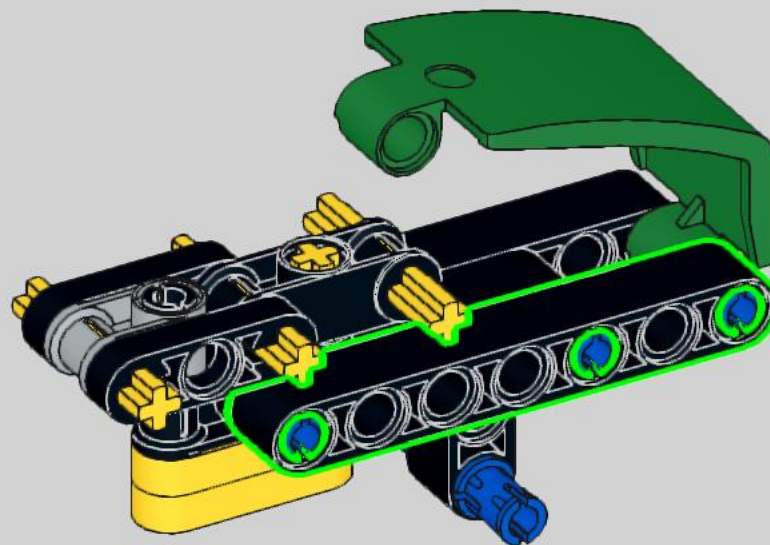
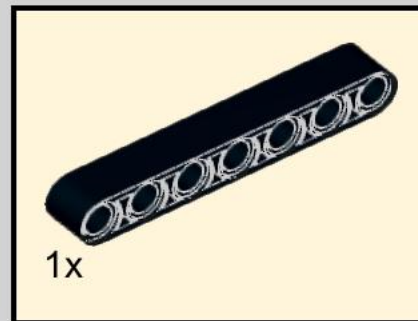
# 4



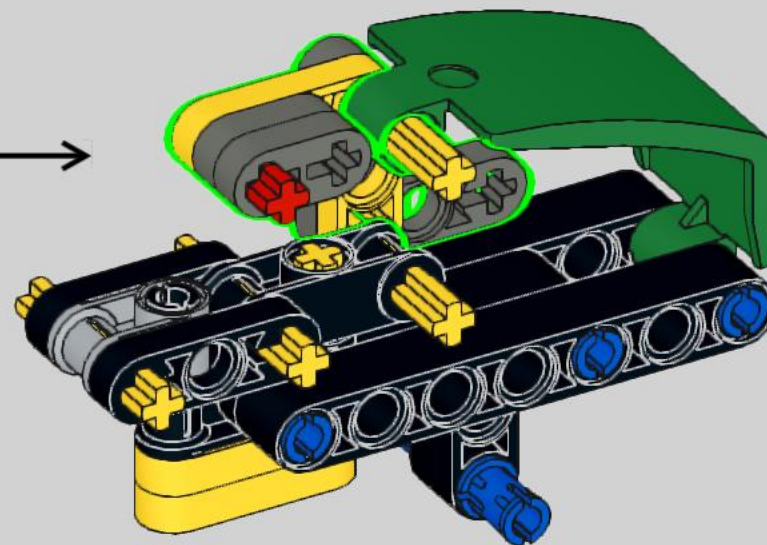
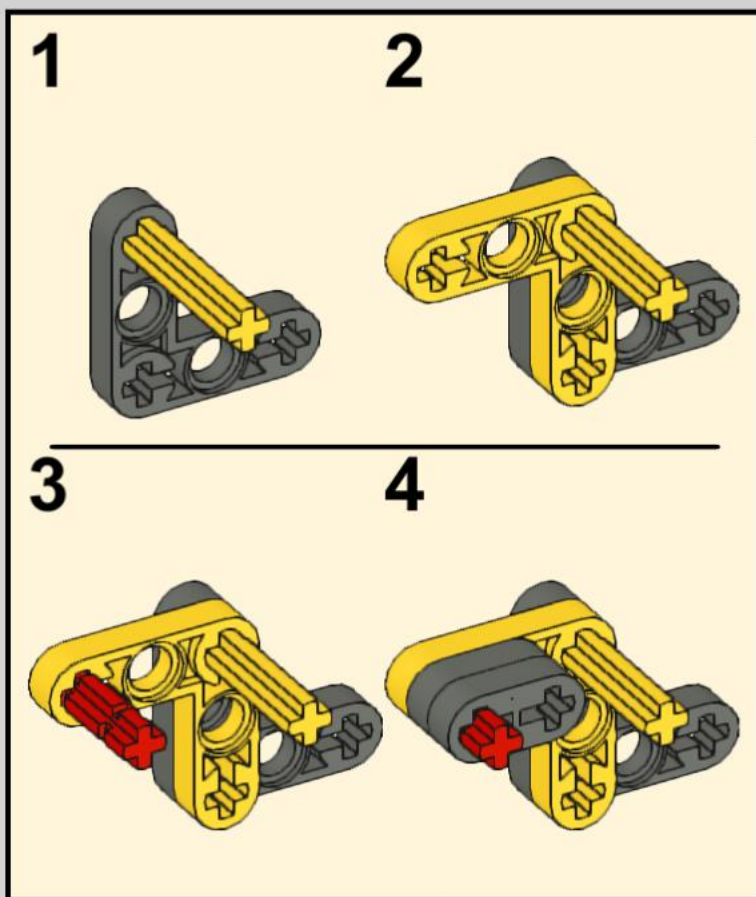
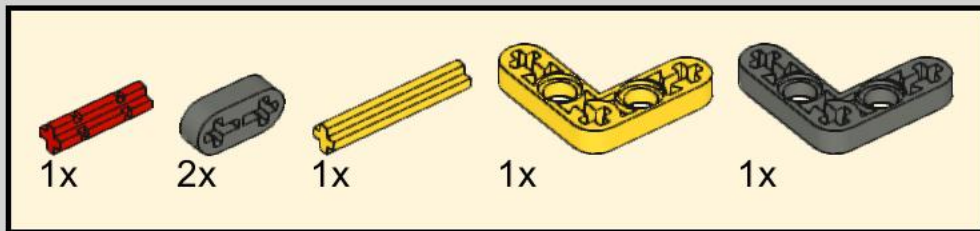
5



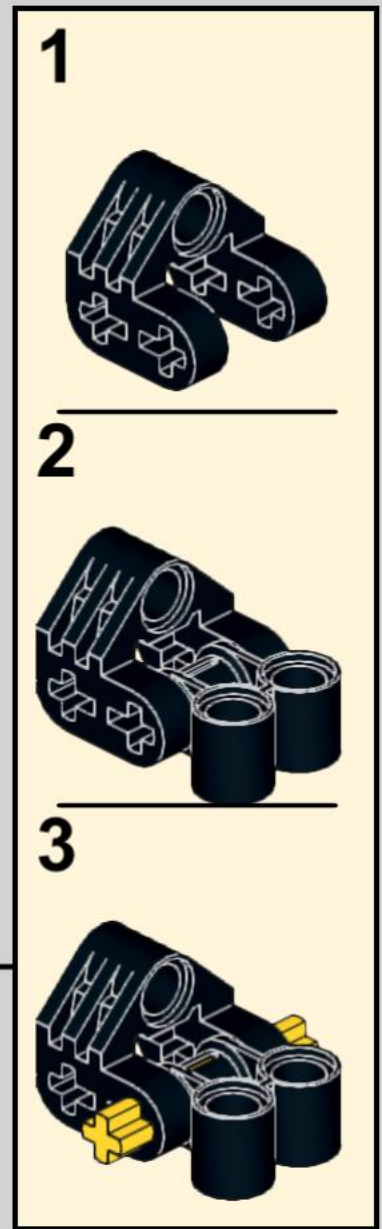
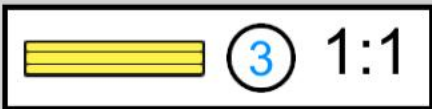
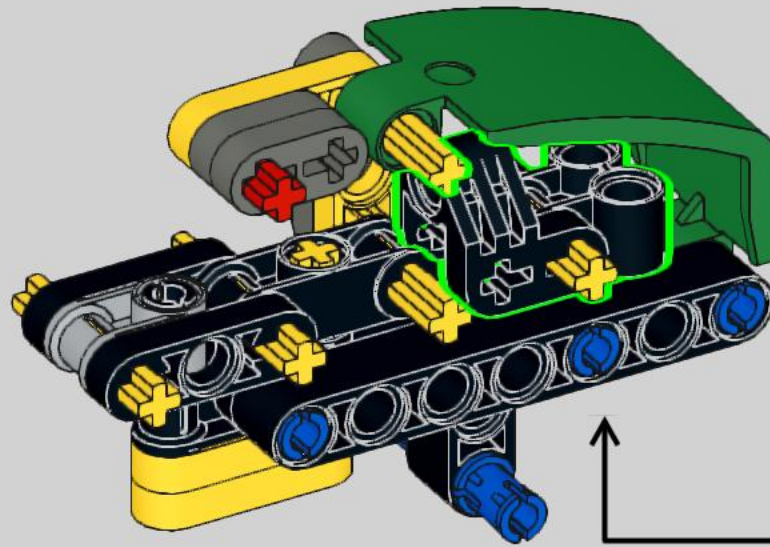
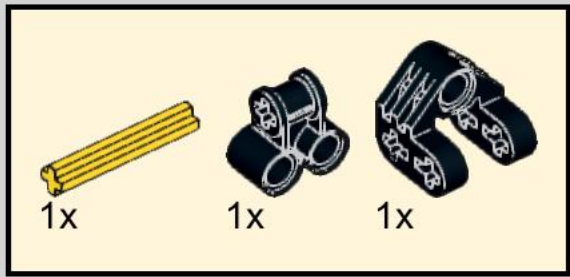
6



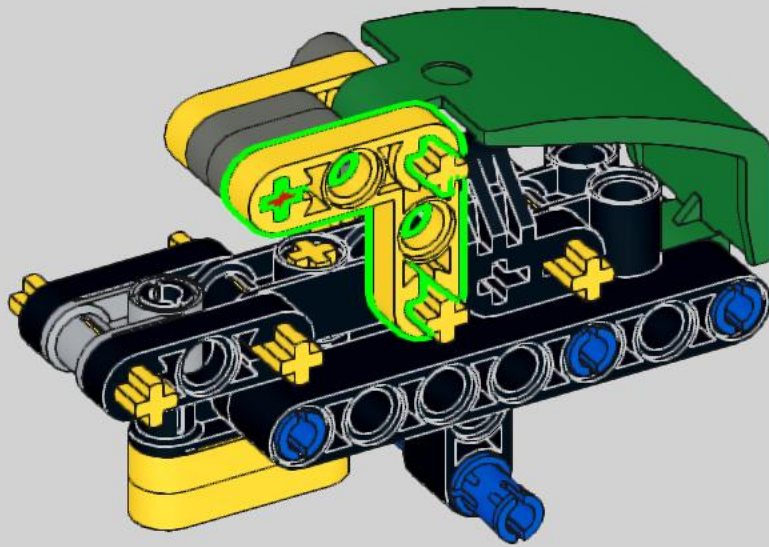
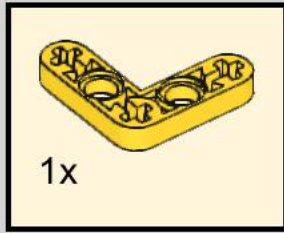
# 7



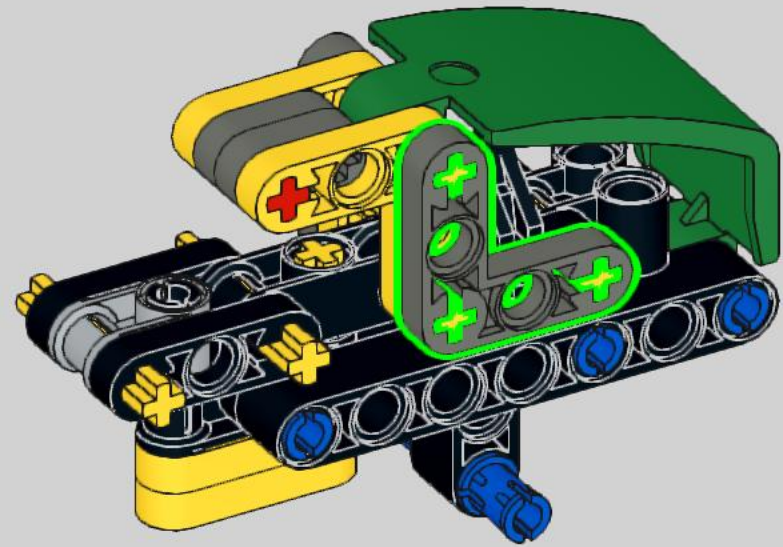
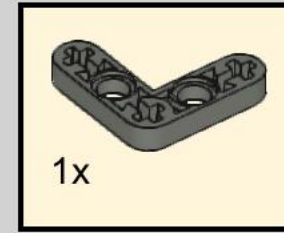
# 8



# 9

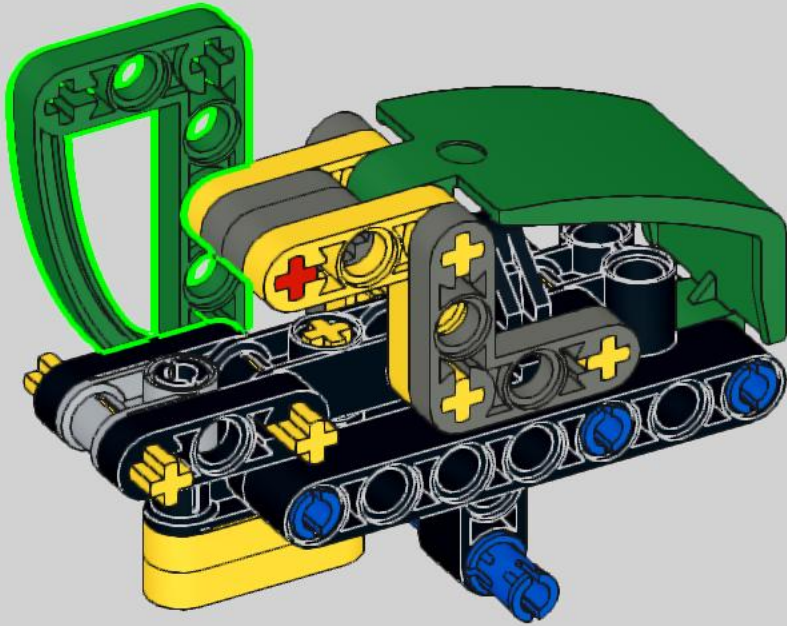
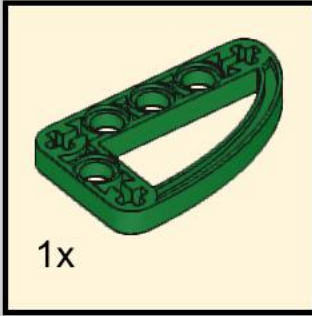


# 10

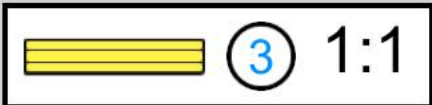
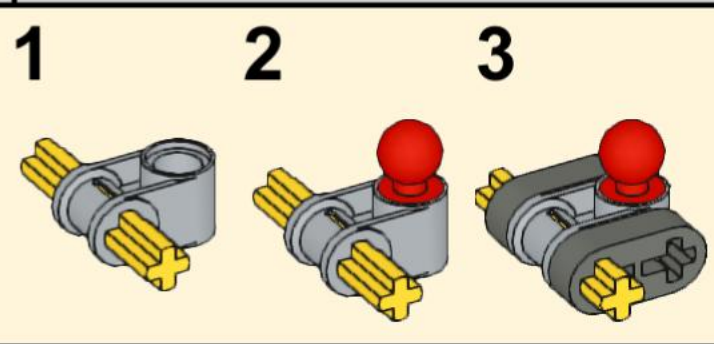
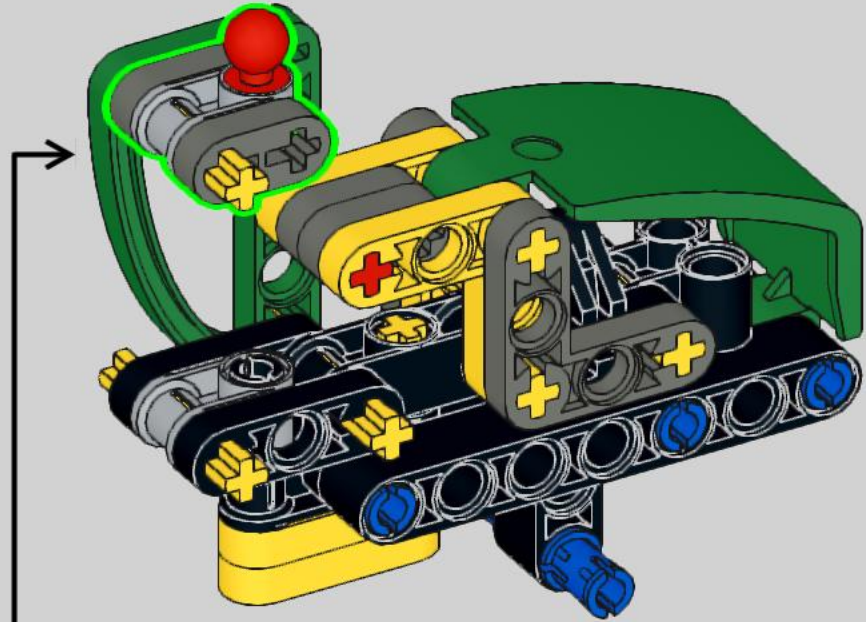
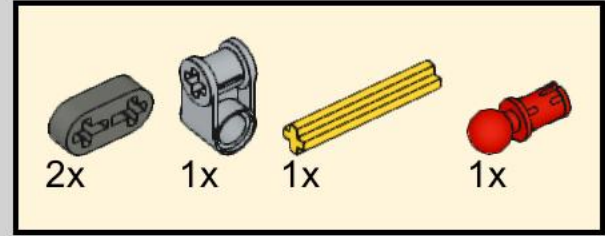


Free instructions available at [rebrickable.com](http://rebrickable.com). Instructions not for sale.

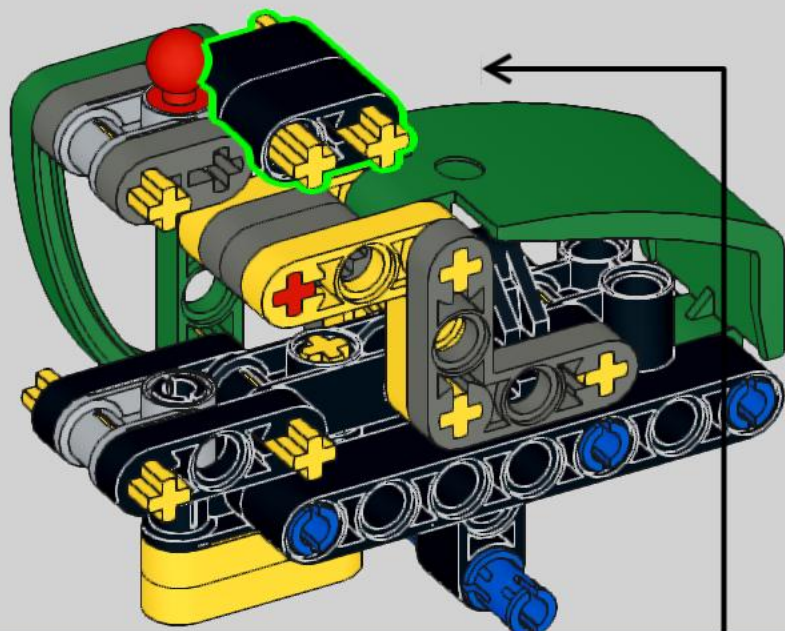
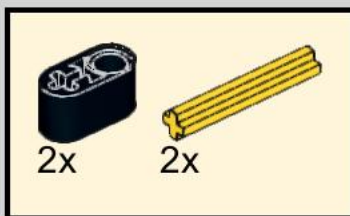
# 11



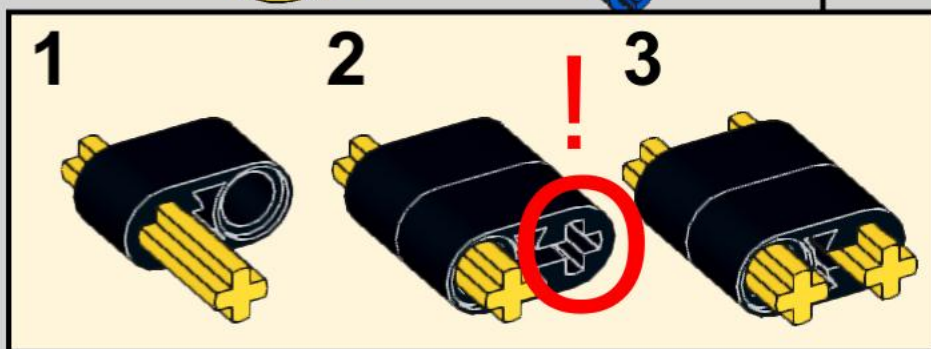
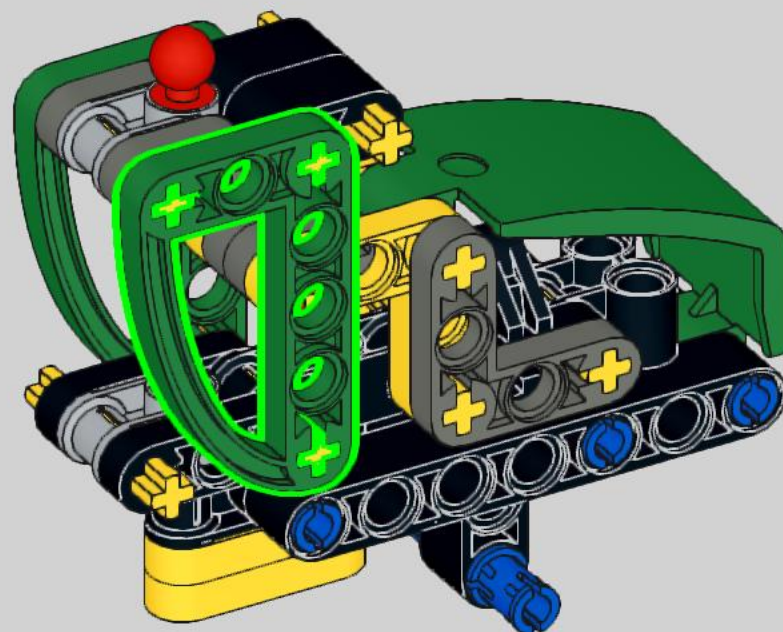
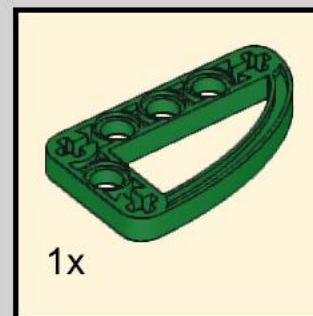
# 12



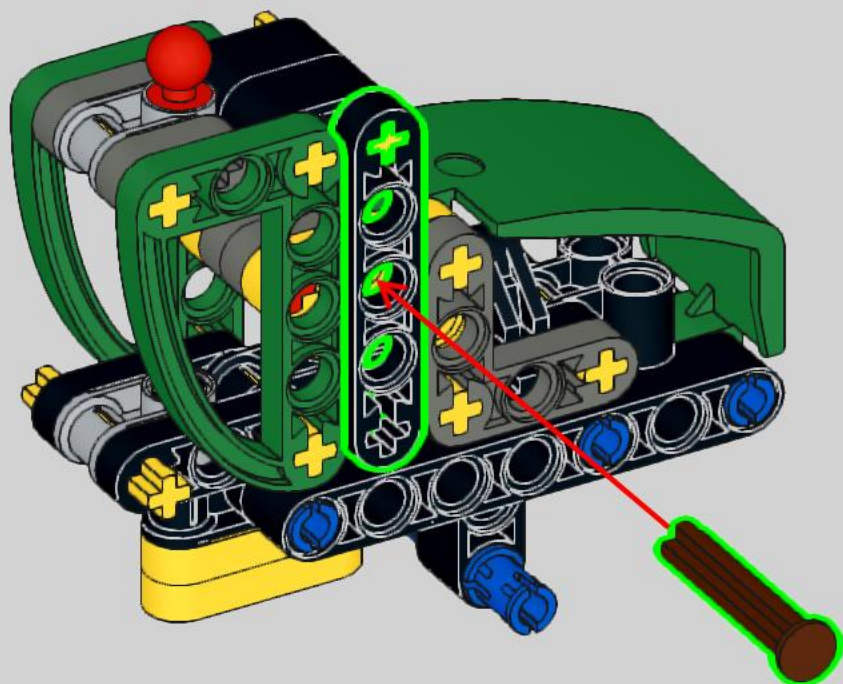
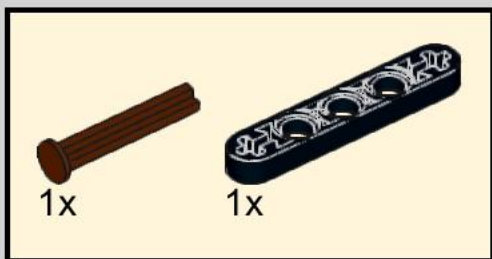
# 13



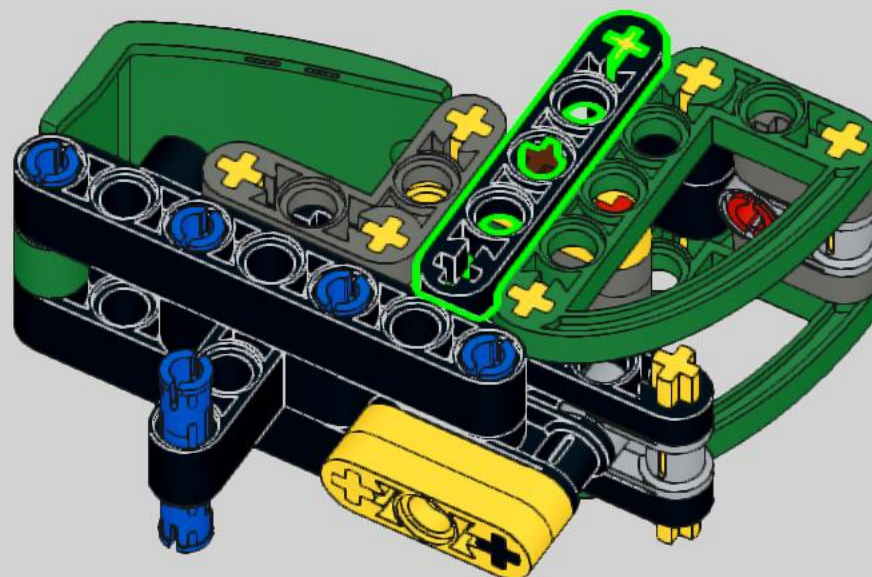
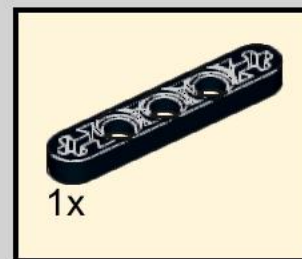
# 14



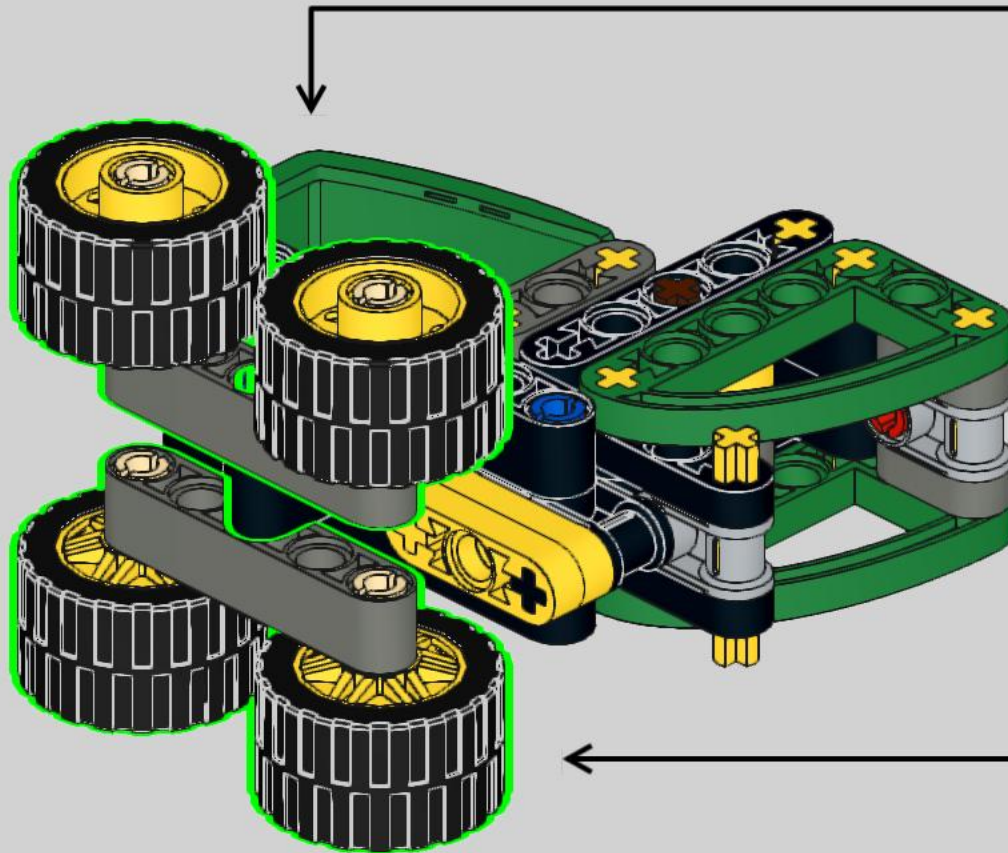
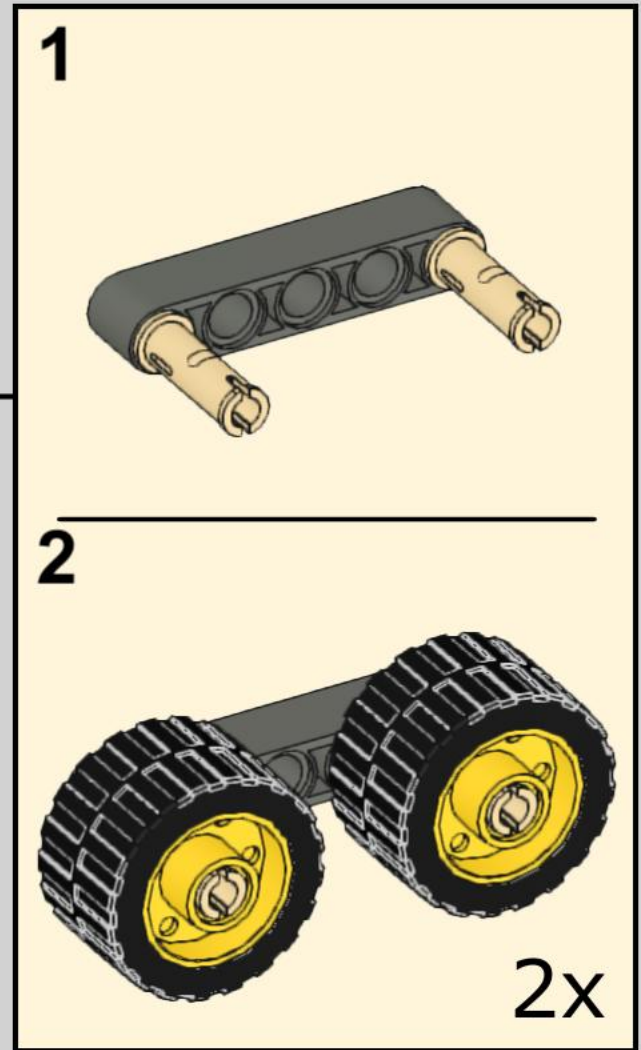
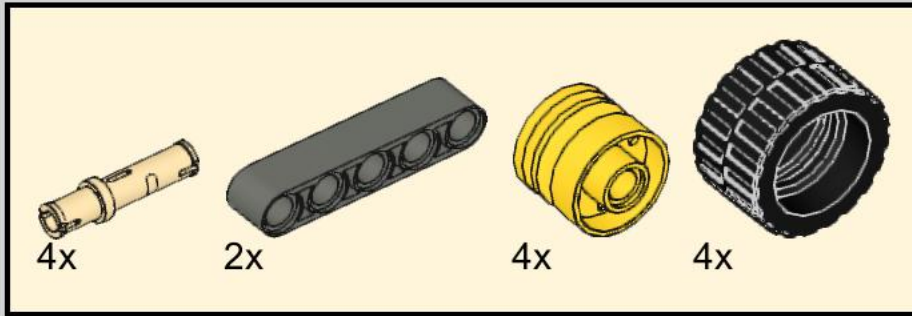
# 15



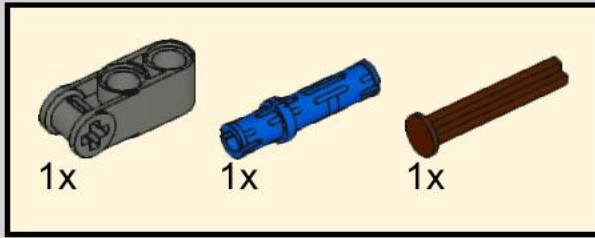
# 16



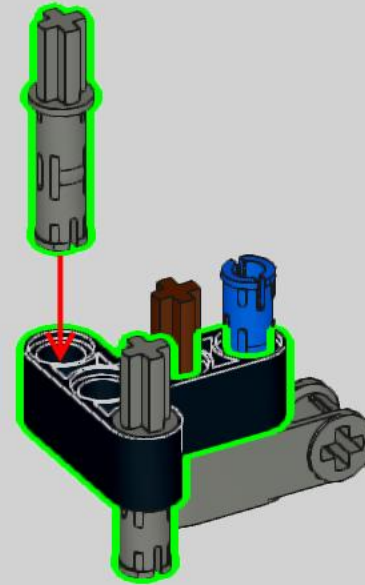
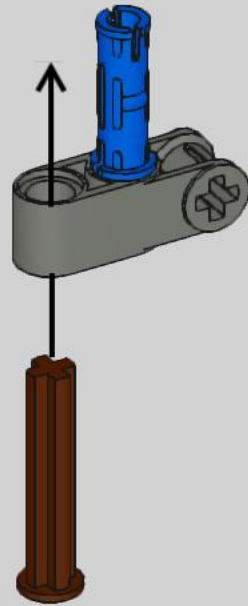
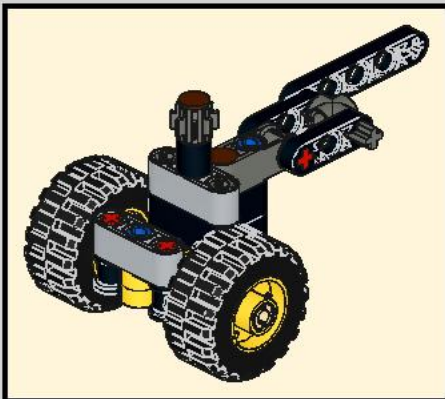
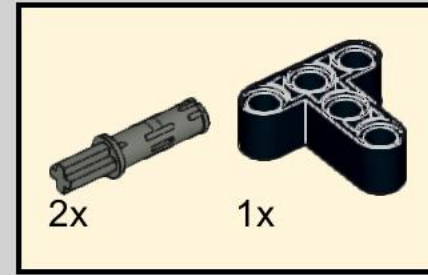
# 17



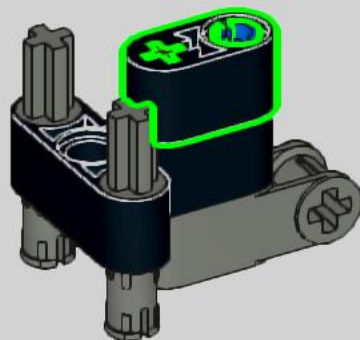
# 18



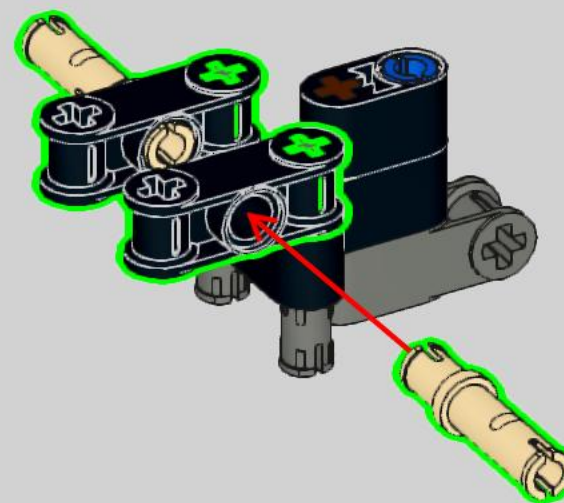
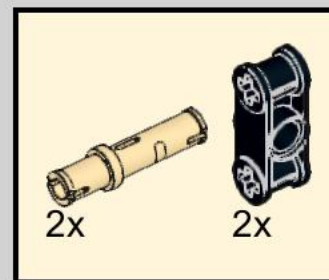
# 19



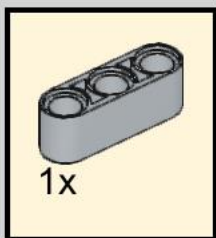
# 20



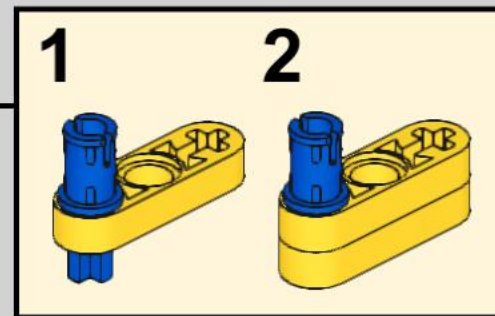
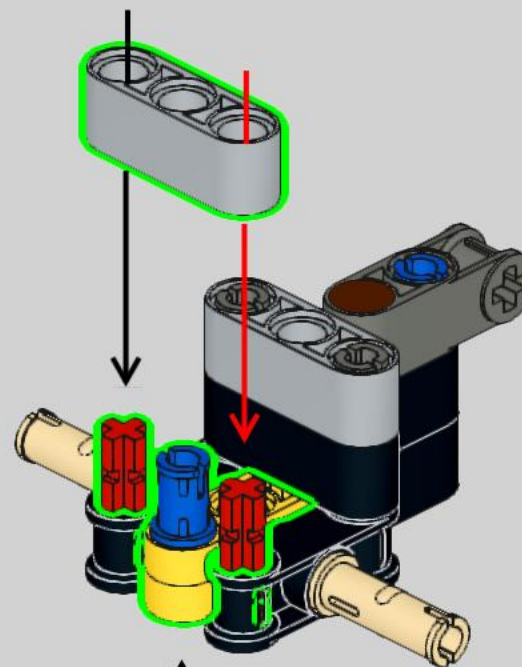
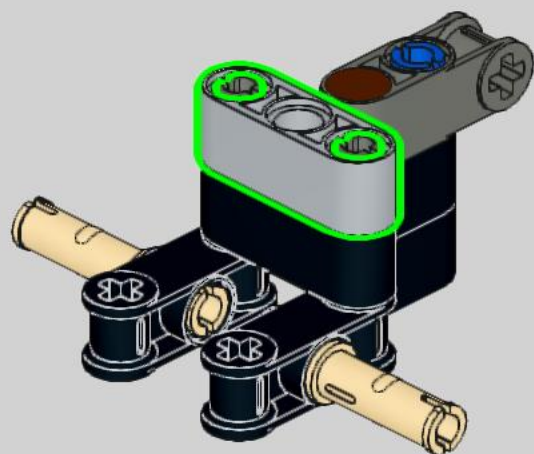
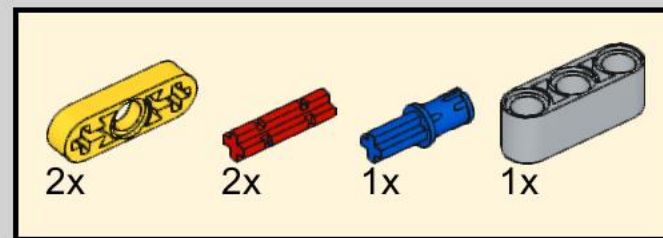
# 21



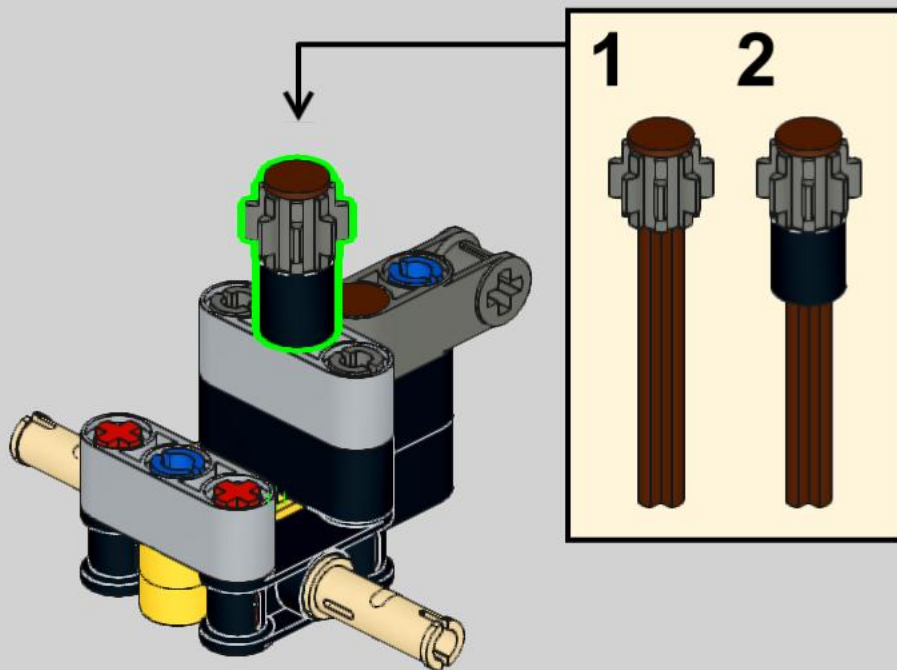
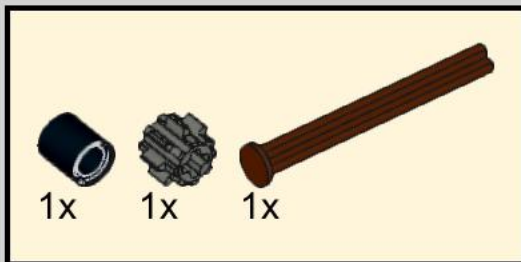
# 22



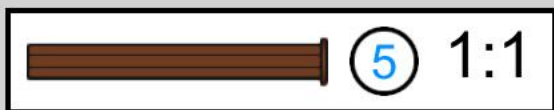
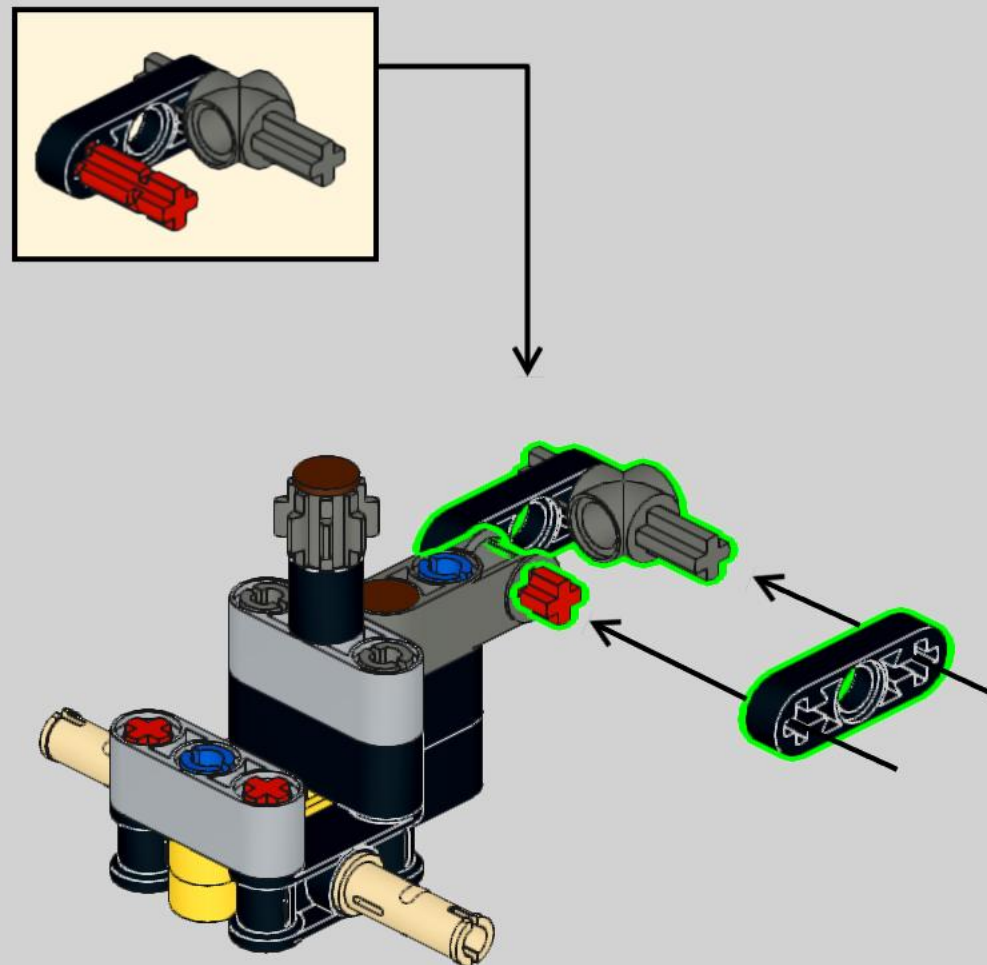
# 23



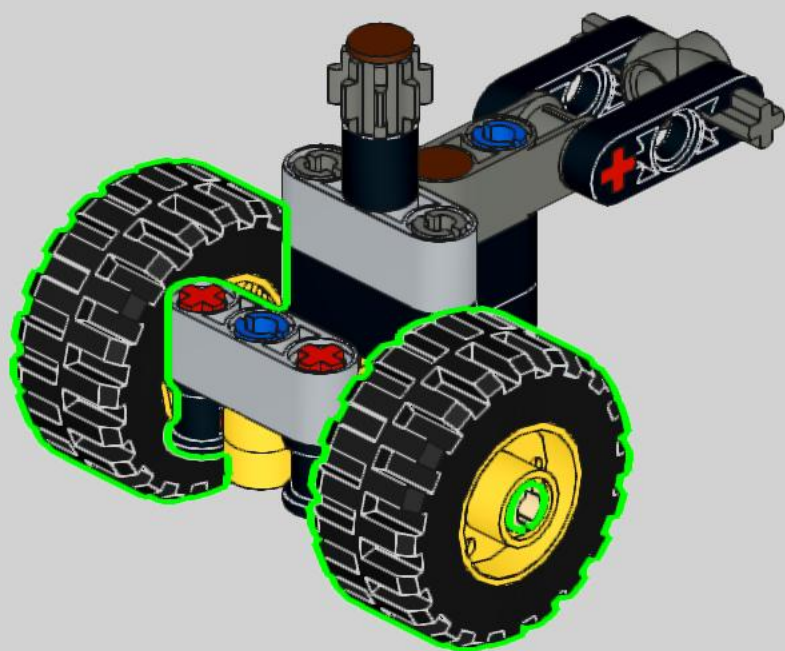
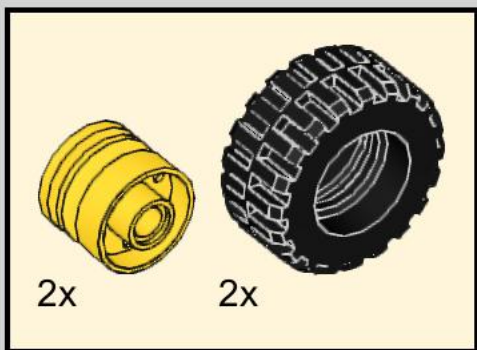
# 24



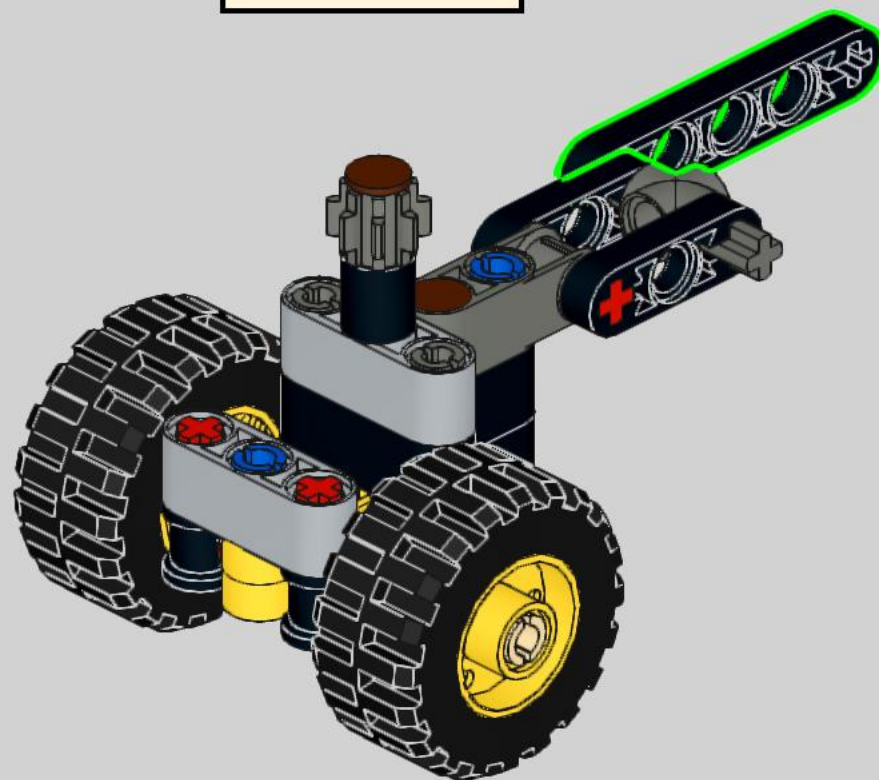
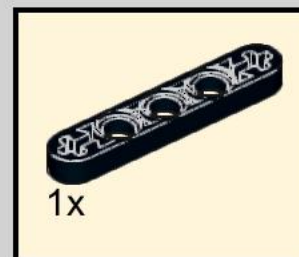
# 25



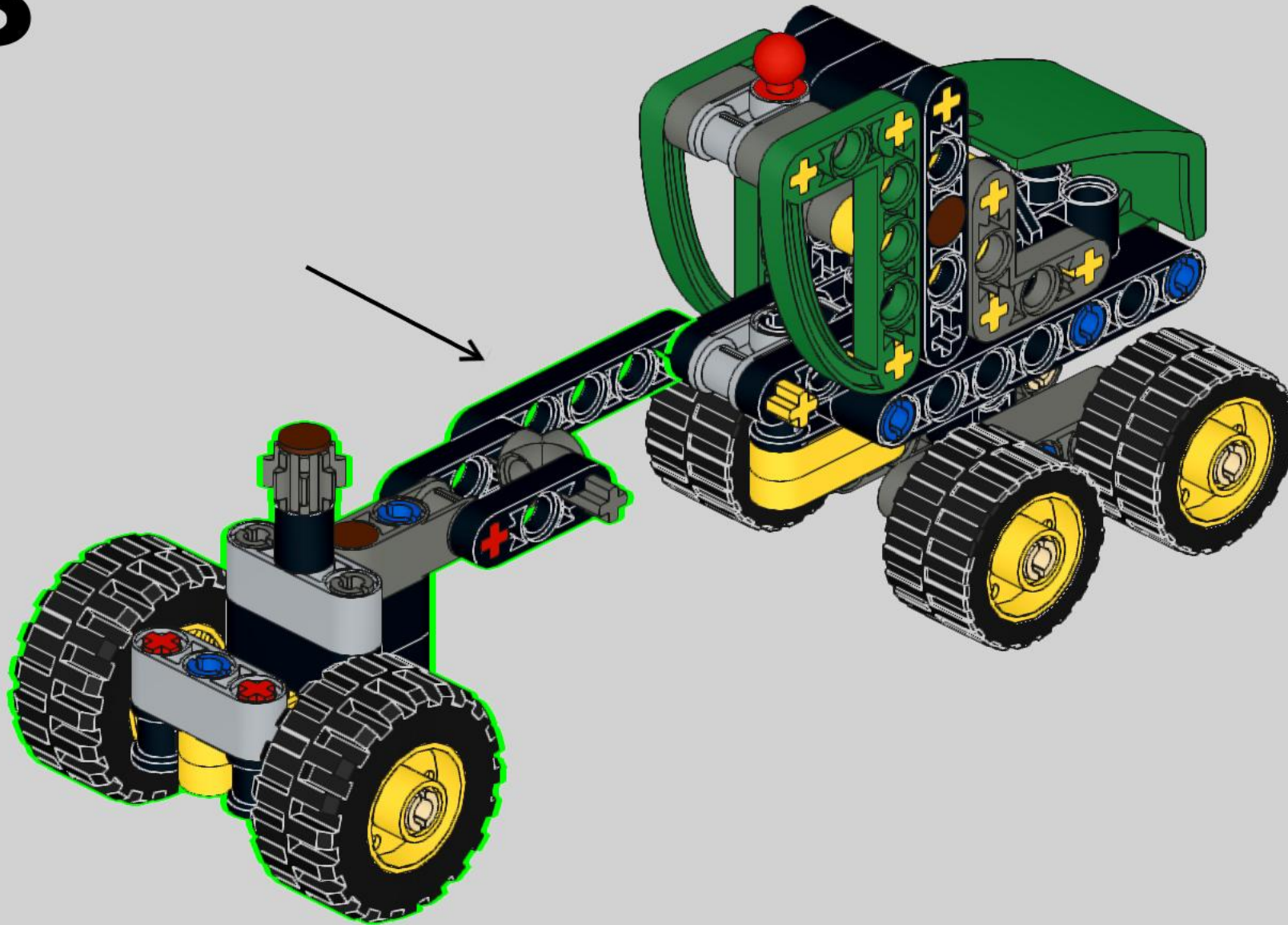
# 26



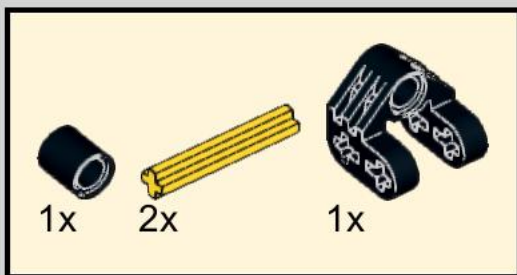
# 27



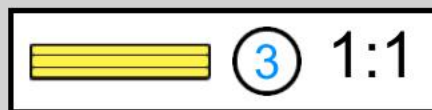
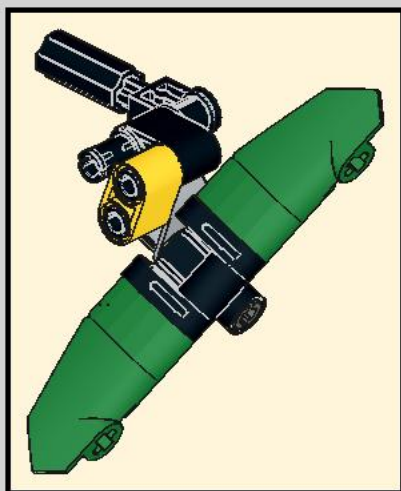
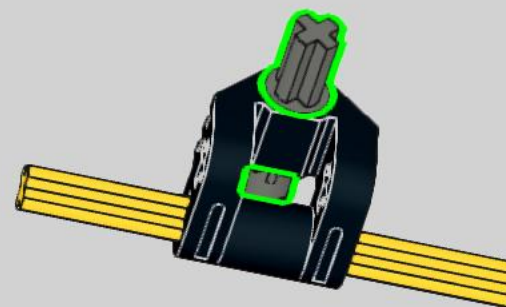
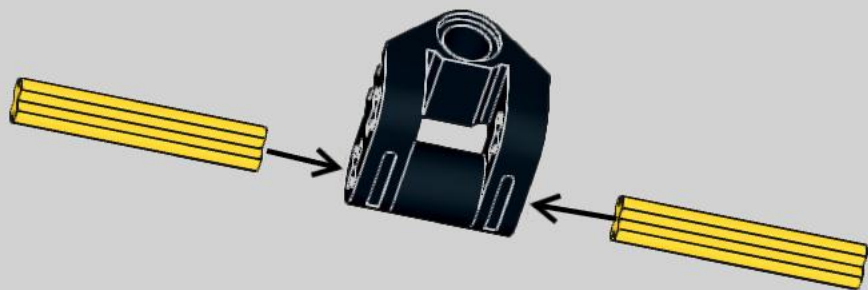
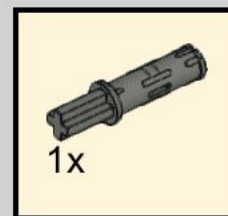
# 28



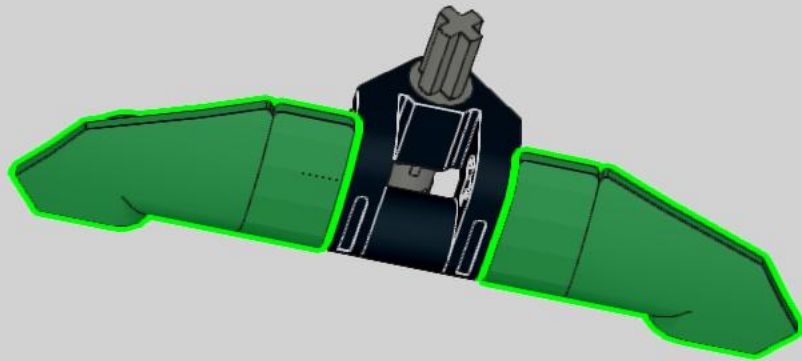
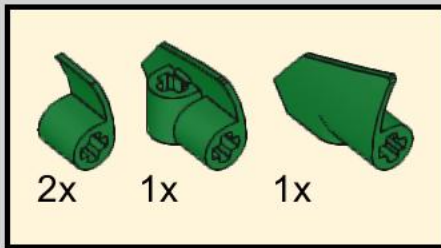
# 29



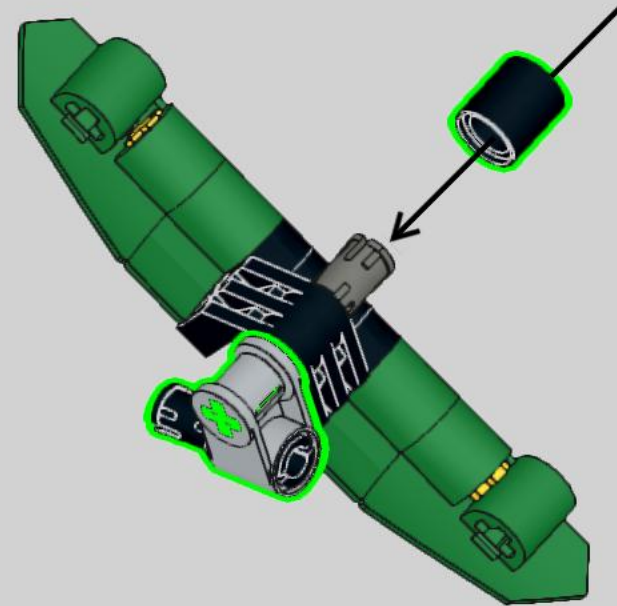
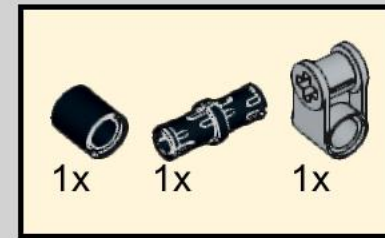
# 30



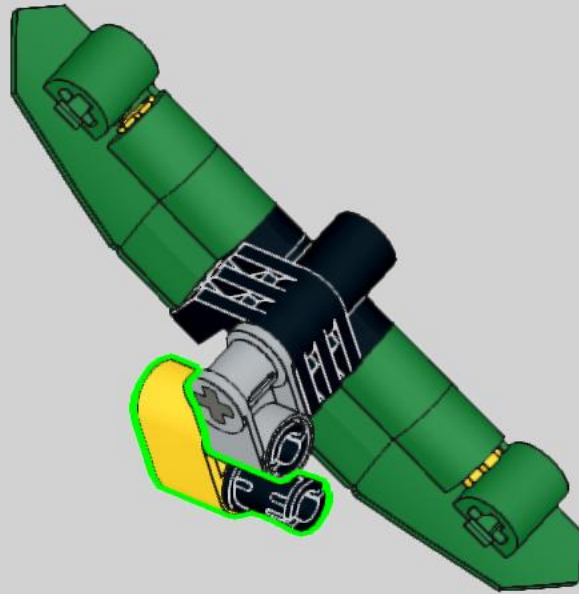
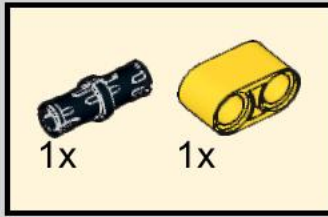
# 31



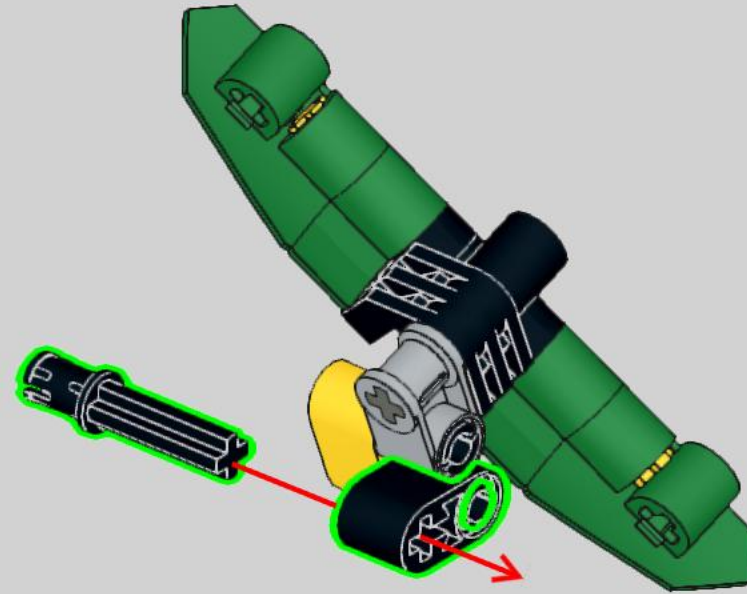
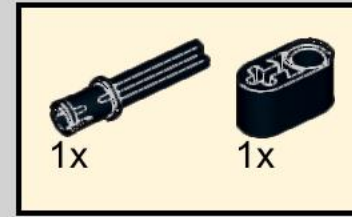
# 32



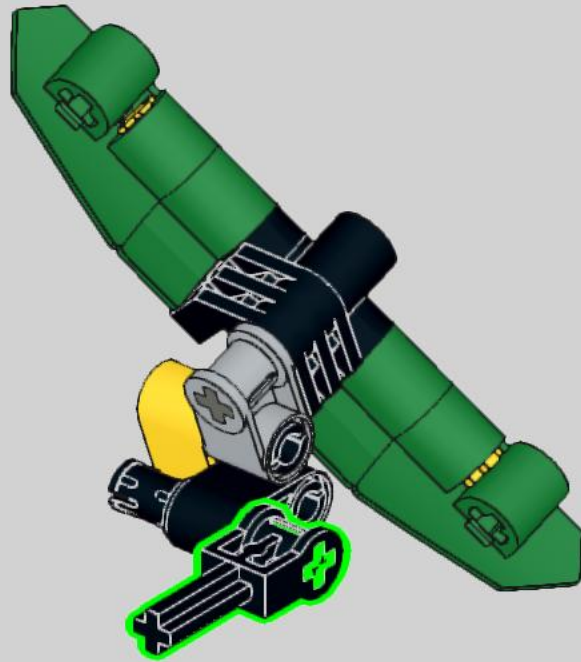
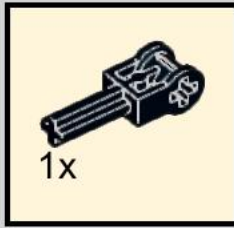
# 33



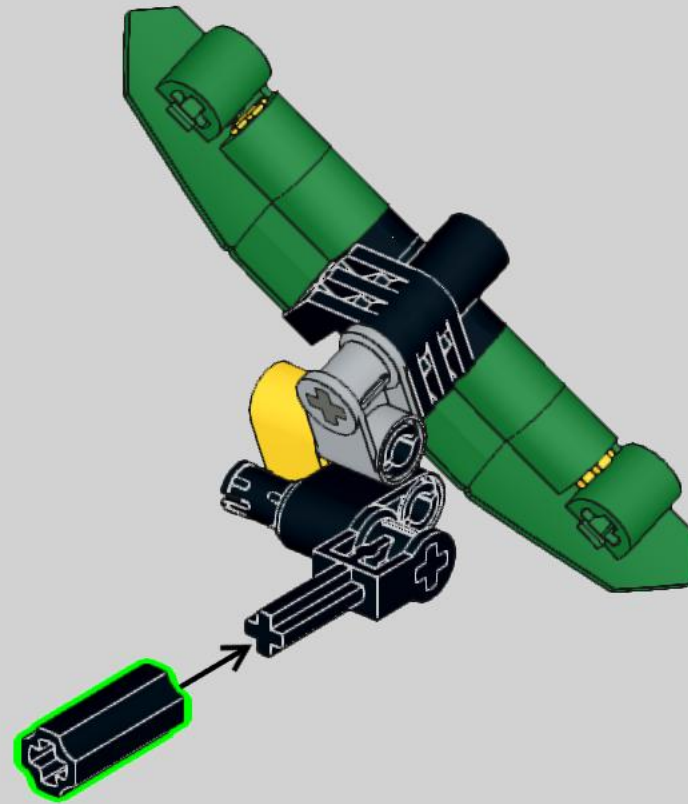
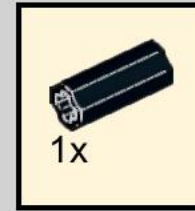
# 34



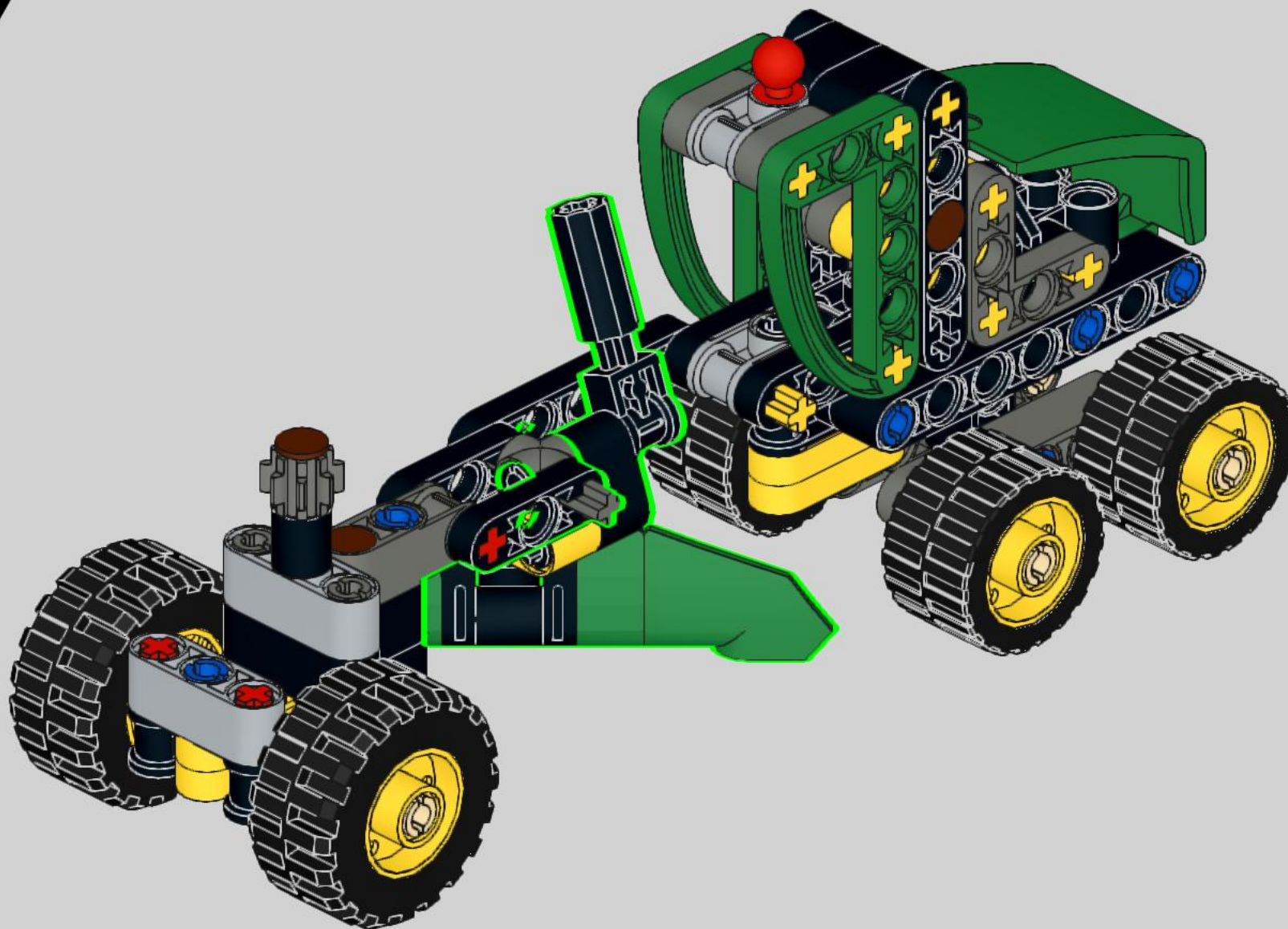
# 35



# 36



# 37



# 38

